

Figures illustrating the main S & T results/foregrounds of final report [project BRIGHT (n°632587)].



Figure 1: Demonstrator cabinet specification

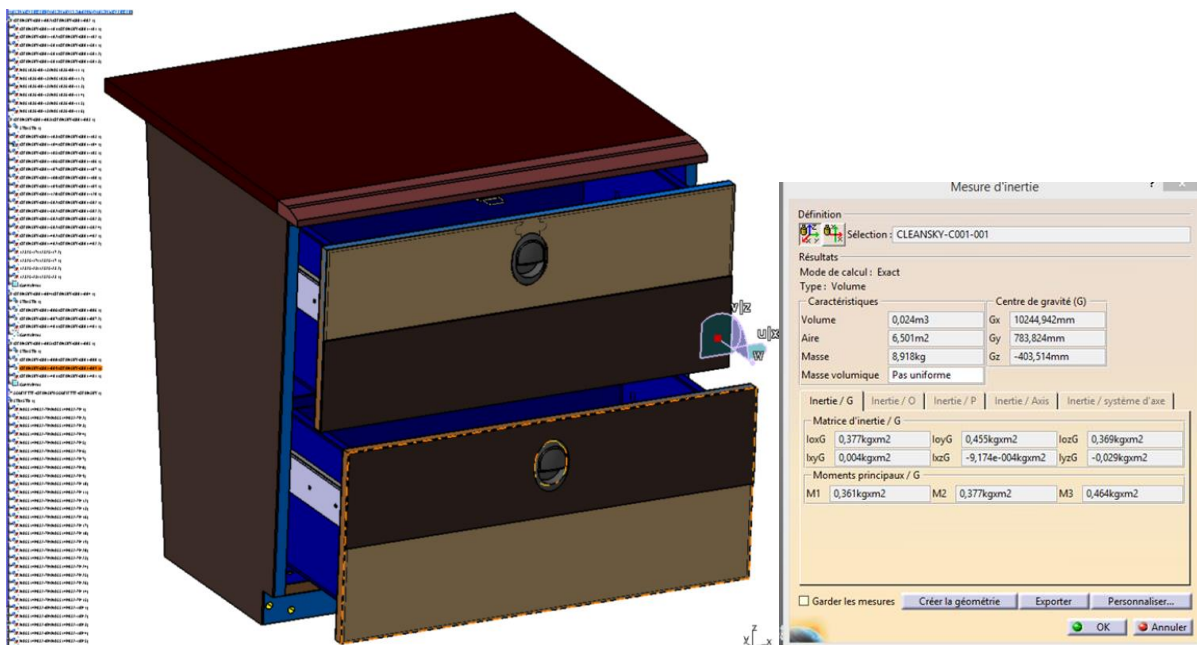


Figure 2: Demonstrator cabinet 3D model and weight analysis

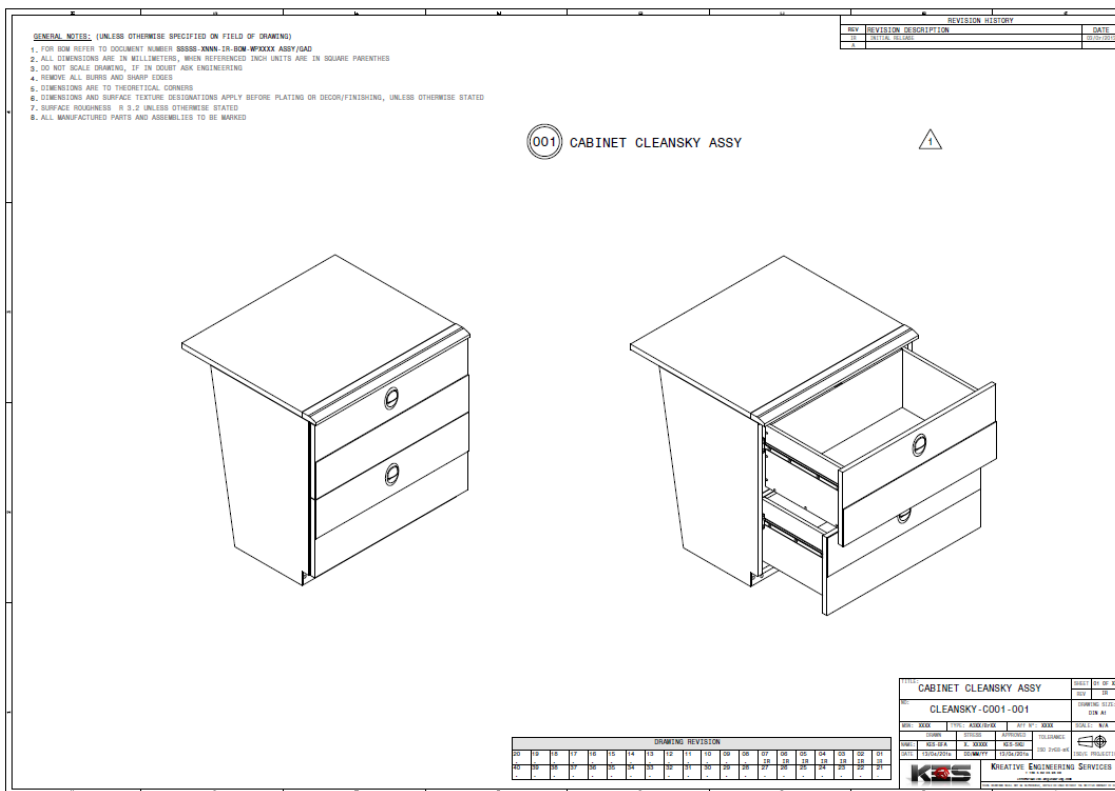


Figure 3: Main assembly drawing

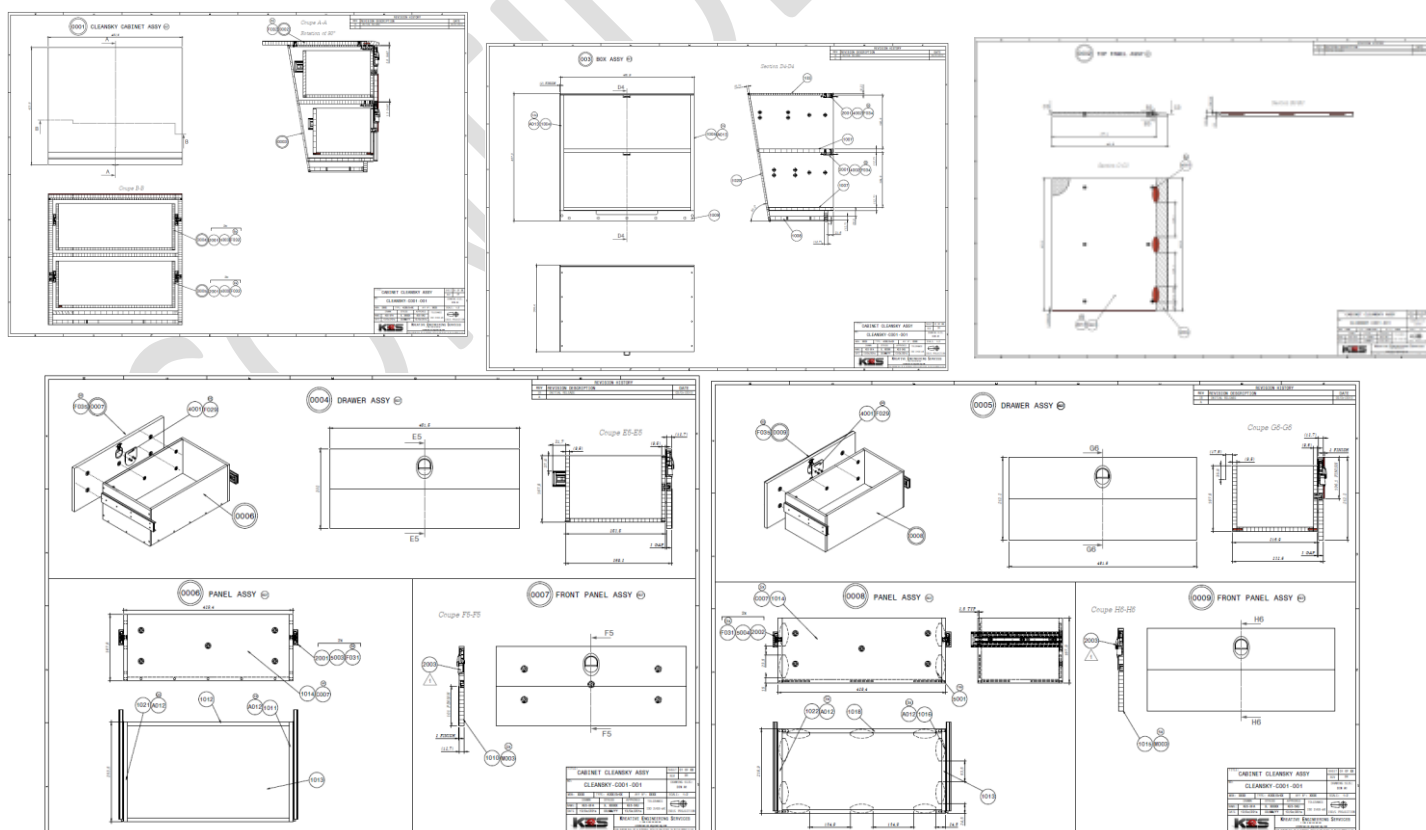


Figure 4 :sub-assemblies drawings

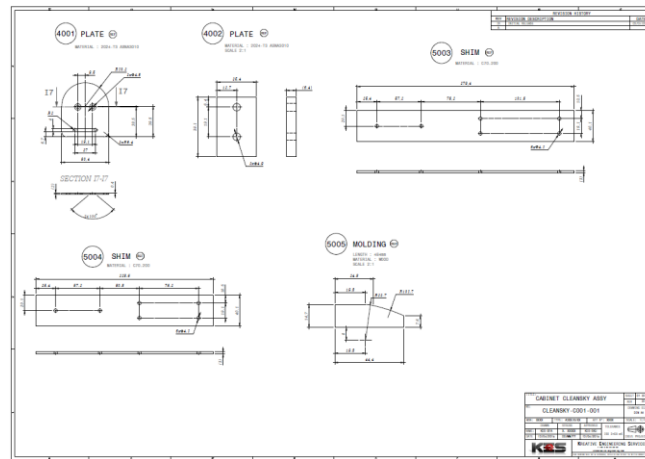


Figure 5: single parts drawing

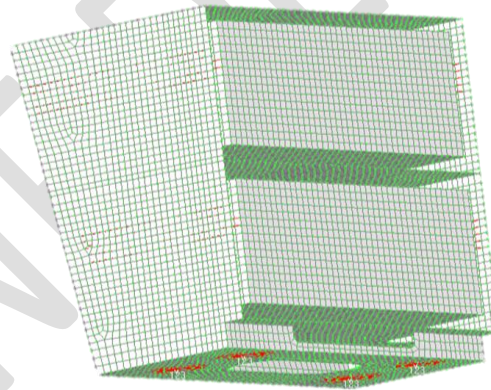


Figure 6 : Demonstrator cabinet FEM model

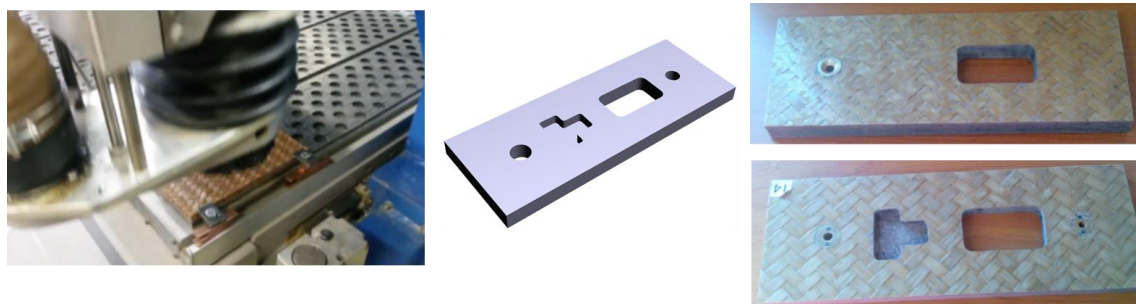


Figure 7 : Manufacturing samples

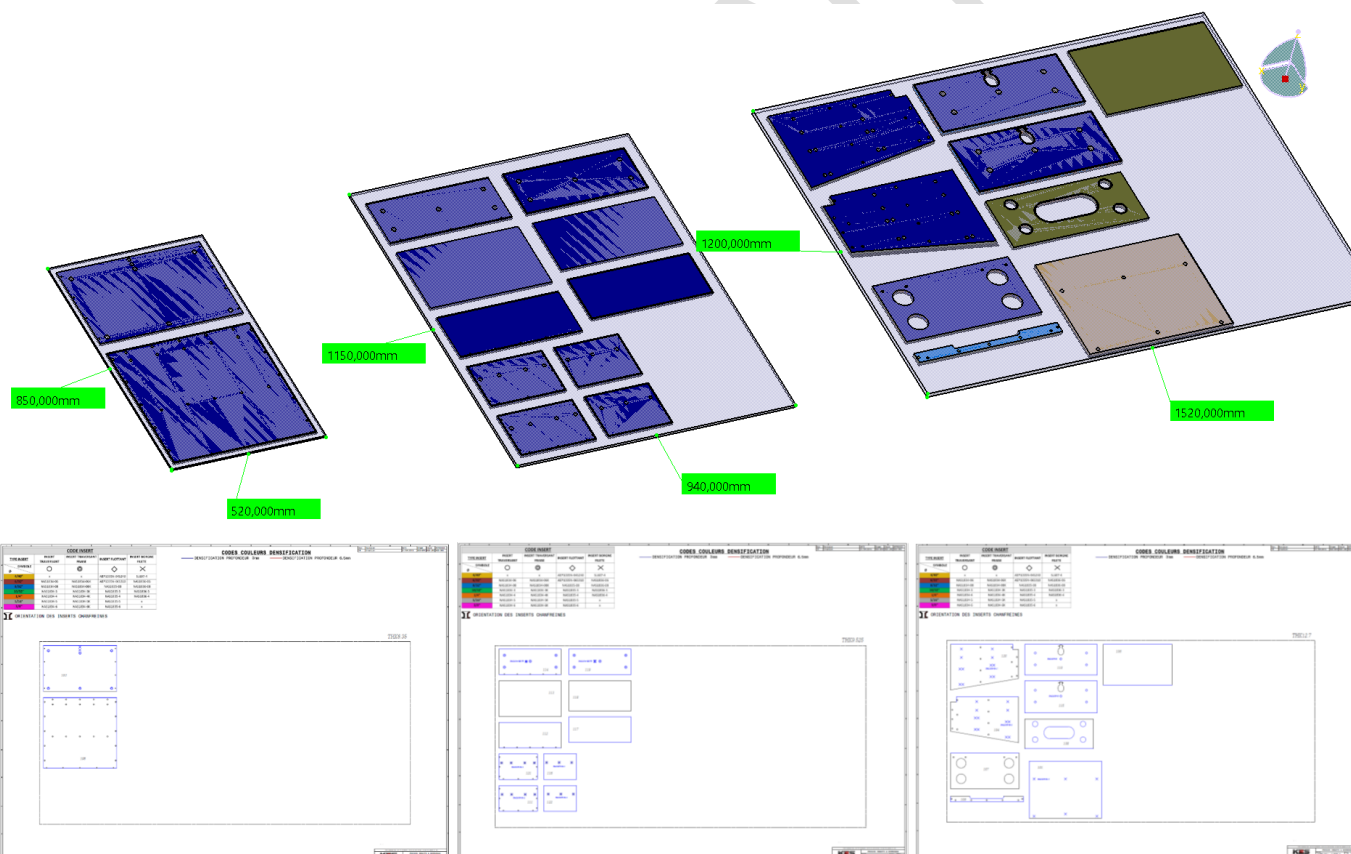


Figure 8 : Panels imbrication and manufacturing process insert instruction