

Figure 1. aeroelastic behaviour of a slat in mechanism simulation

Model "Wing" is added to the list of models to be simulated

Sample Application

Home Developer View

Open Close Publish Save Undo Redo Restore Default Data Import Session Show/Hide V.L Tracking Changes Settings About Open Log File

File Session Virtual.Lab Tools

ASAM Library

Model Library

Wing

2 Wings

Submechanism Library

Airframe

AileronIB

AileronOB

Actuator

Ground

Simulation Library

Standard

Models

Wing

! Airframe

! AileronIB

! Actuator1

! Actuator2

! AileronOB

! Actuator1

! Actuator2

Simulations

Simulations Manager

LMS Virtual.Lab state: Not available

An "Airframe" submechanism is required

An "AileronIB" submechanism is required

An "AileronOB" submechanism is required

4 "Actuators" submechs are required

Models that are available in the library

Submechanisms that can be inserted in a model

Library of simulation that can be performed

Figure 2. Demonstration vertical for configuration of mechanism simulation models

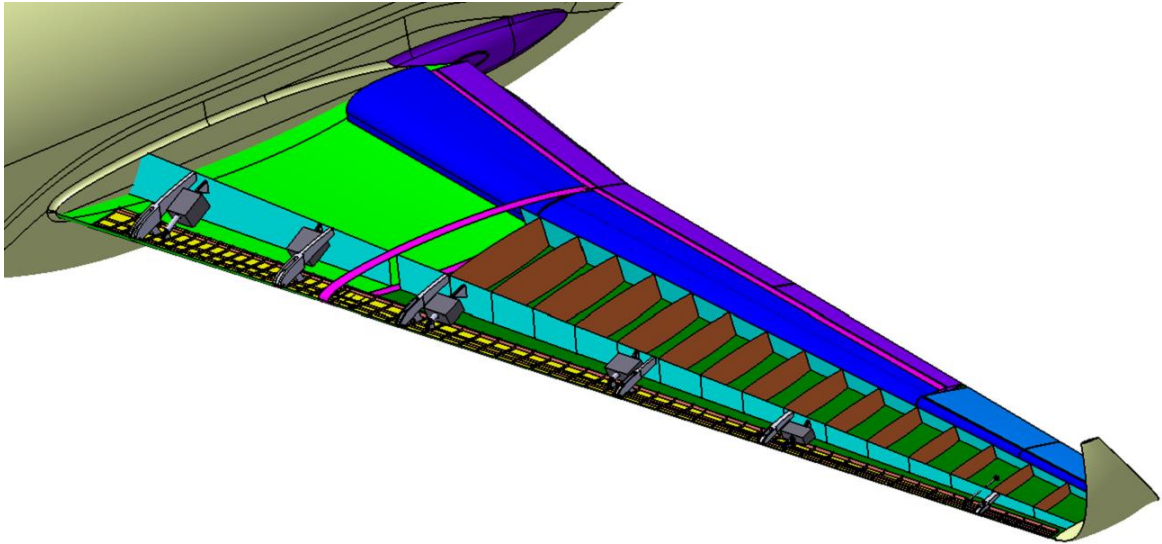


Figure 3. Integrated Kruger flap mechanisms

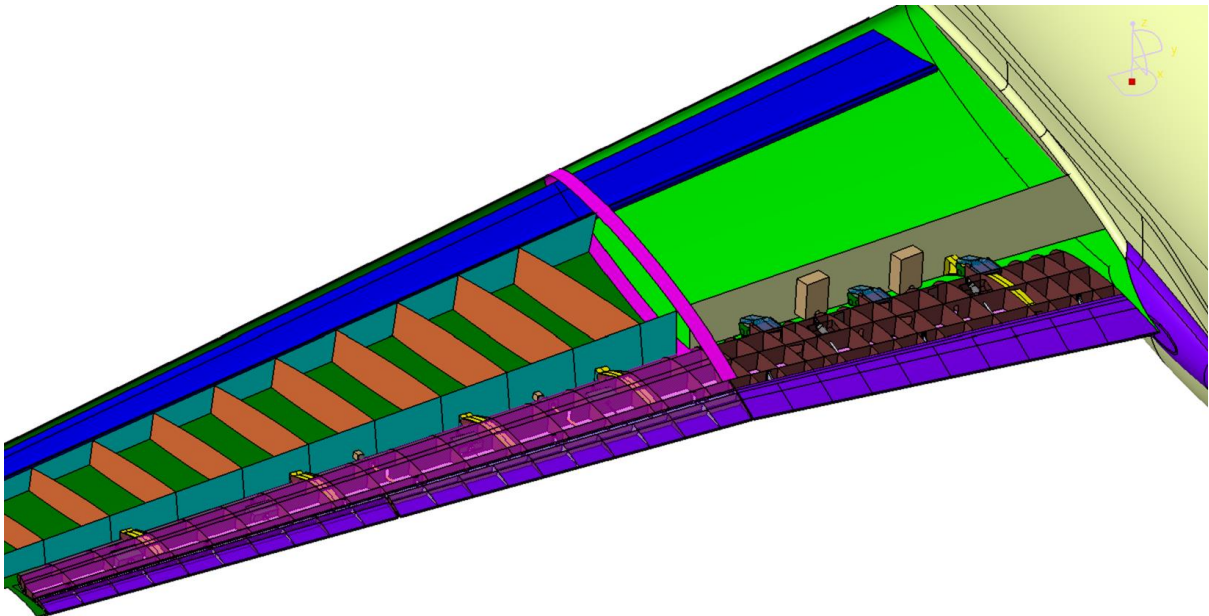


Figure 4: Integrated Kruger flap mechanisms

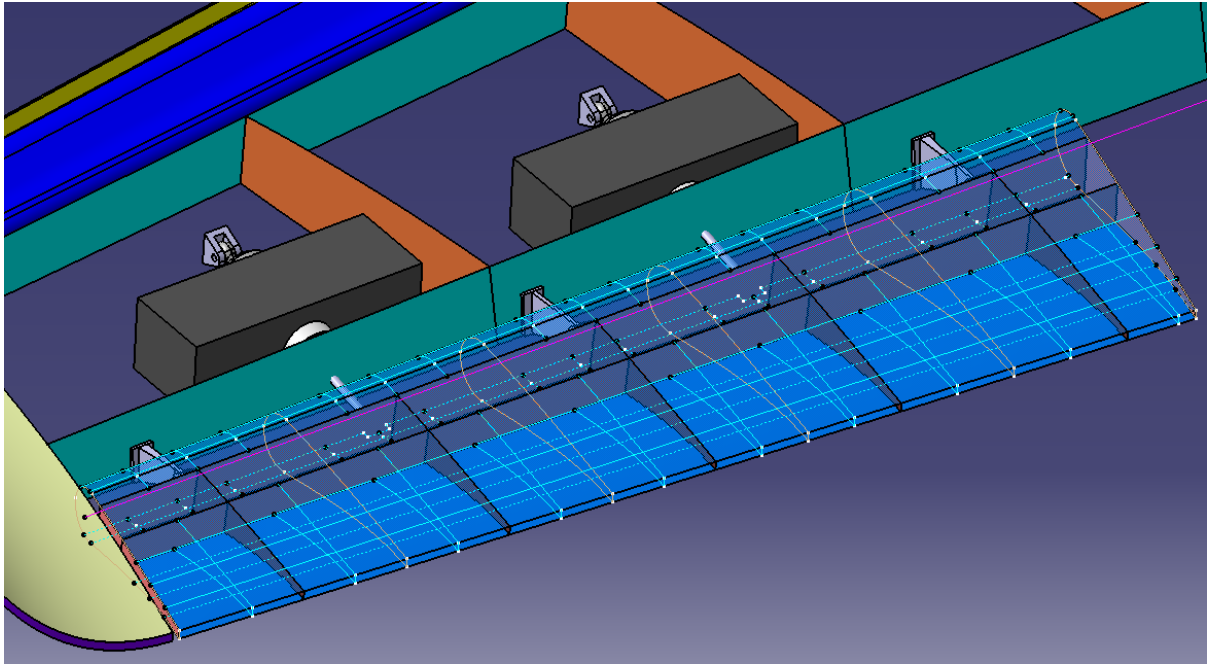


Figure 5. Design of LC&A split aileron mechanism

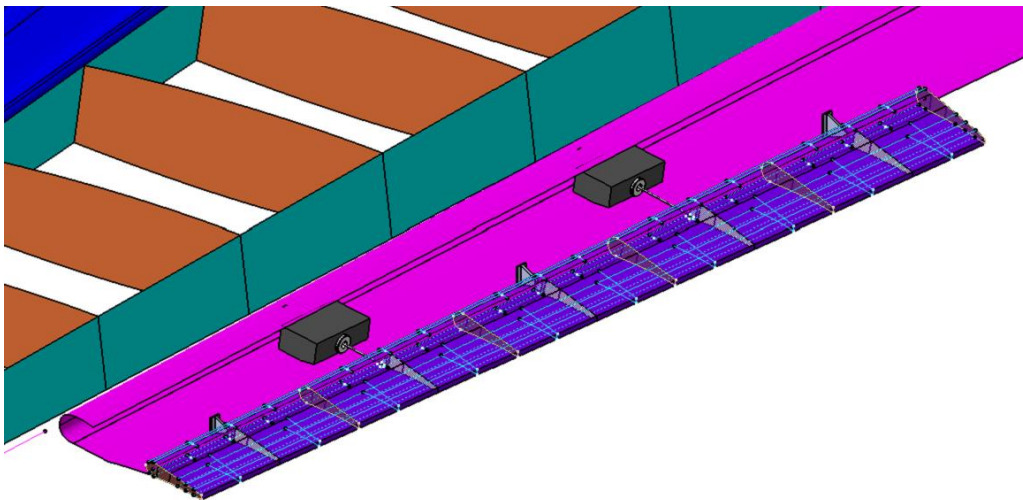


Figure 6. Design of LC&A outboard and centreboard mini-tabs