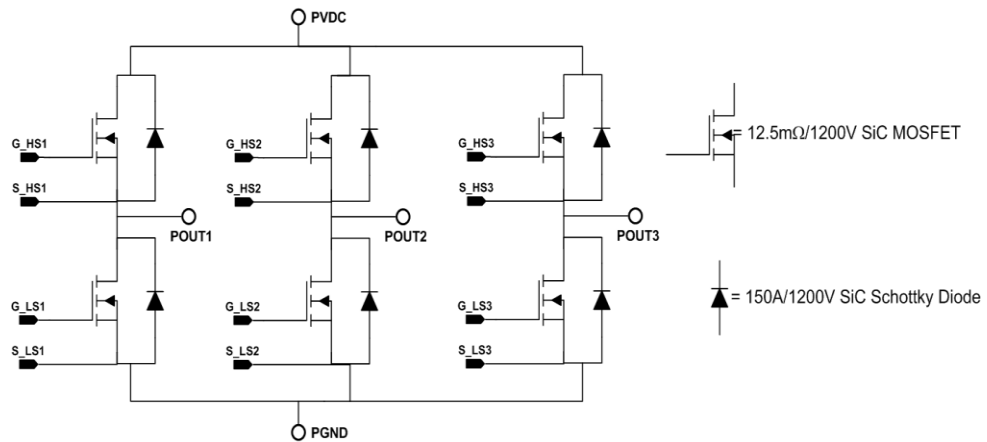
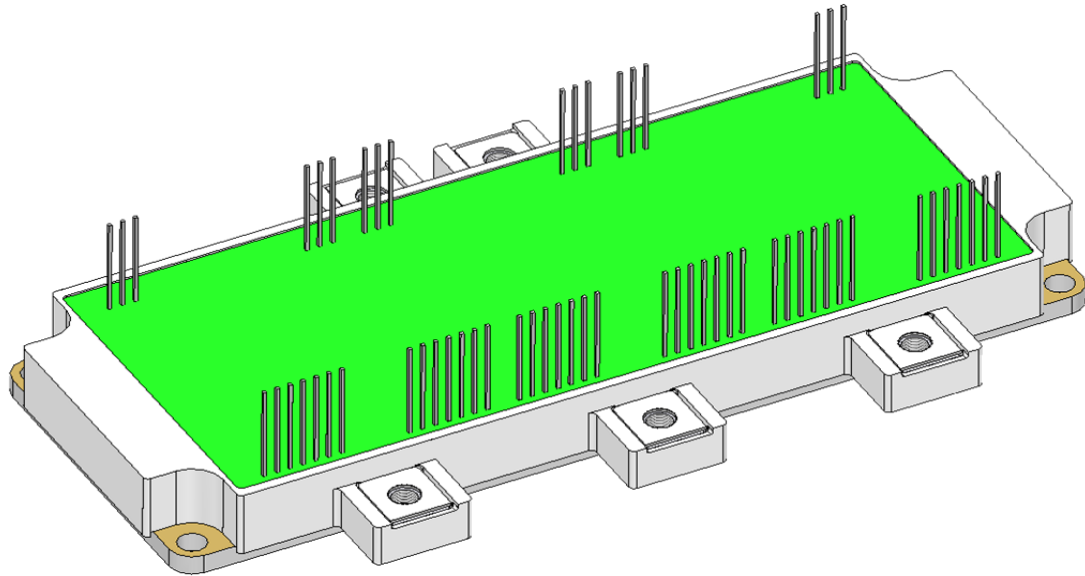


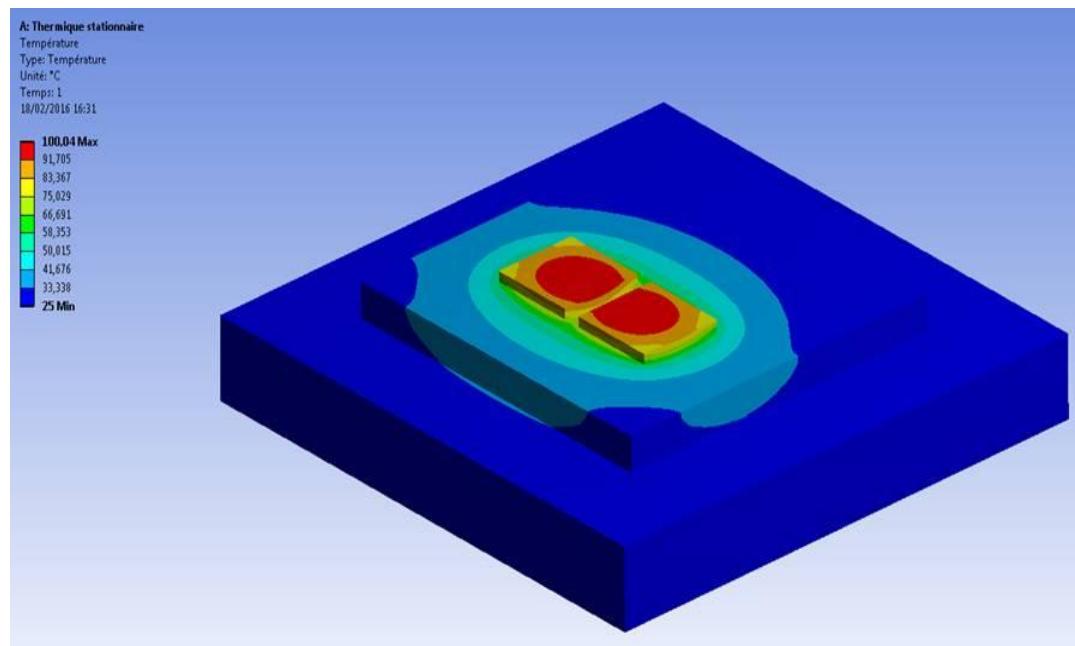
**Figure 1. Picture of the 3-Phase 1200V/150A SiC MOSFET Intelligent Power Module (IPM) developed by CISSOID in Clean Sky HYPOTHESIS project.**



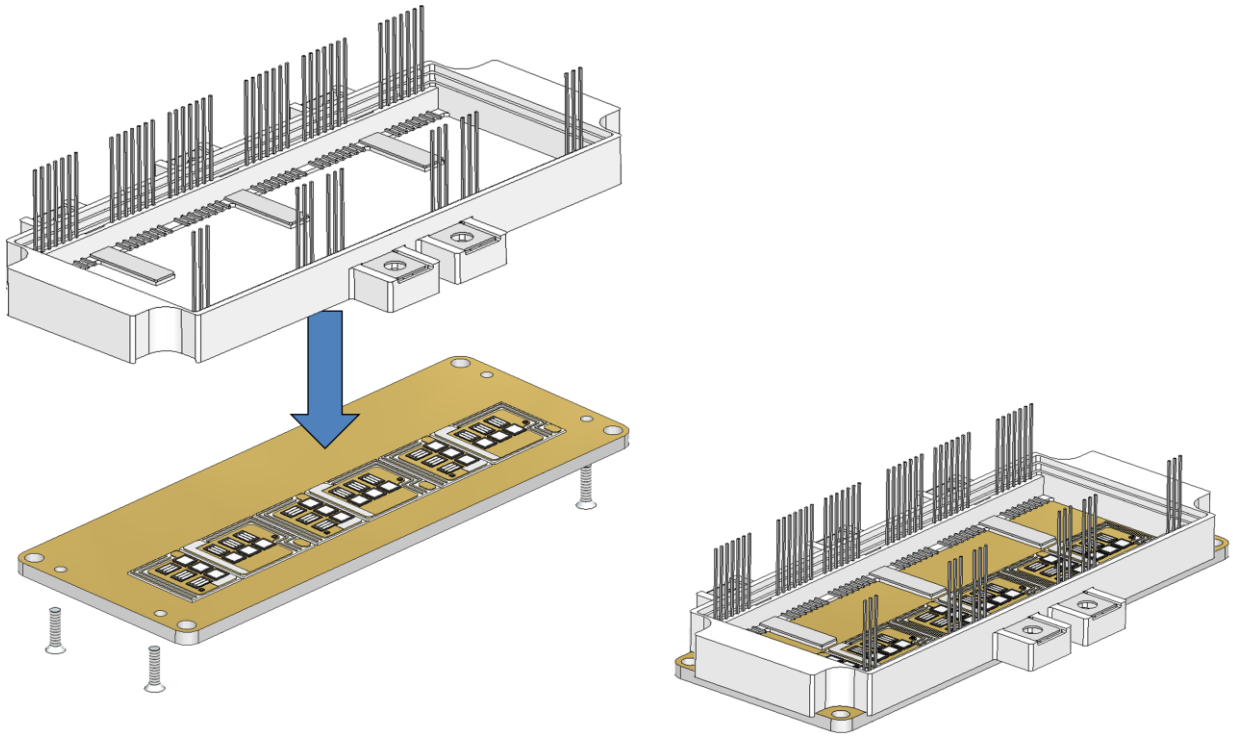
**Figure 2. Power topology of the 3-Phase 1200V/150A SiC MOSFET Intelligent Power Module (IPM).**



**Figure 3. 3D Mechanical design of the Intelligent Power Module (IPM).**



**Figure 4. Example of Finite Element thermal simulations made during the design of the IPM.**



**Figure 5. Example of 3D Virtual Integration of the IPM.**

---